

GDO-10v2 Toro™

Heavy Duty Roll Up Door Opener

The **GDO-10v2 Toro™** is a feature rich, easy-to-use and versatile “one box” solution for commercial and light industrial rolling door applications.

TrioCode™ Multi-Frequency Coding Technology



Featuring
TrioCode™
Technology

A world leading transmitter system, TrioCode™ multi-frequency coding technology overcomes the all too common interference issues while maintaining security through over 4.29 billion random code possibilities.

Easy To Fit

The **Toro™** simply bolts to the axle, unlike traditional bulky commercial openers, making for simple and safe installations.

Wall Mounted Logic Control System with LCD Display

The wall mounted logic control, connected to the drive unit via a standard CAT-5 connection, provides:

- UP, DOWN and STOP buttons for door control
- Storage for up to 511 transmitters with customisable alpha-numeric names e.g. “AB SMITH1”,
- 24-hour time clock that can integrate with operating modes such as auto-close and pedestrian settings
- Integration for operating inputs such as magnetic/pulse locks, P.E. Beams and loop detectors
- Multi-button menu system with LCD readout
- Password protection to regulate access to setup menus
- PG-3 Programmer connection for enhanced feature access

Operating Modes

Mode	P.E. Beams Required?	Operates from Wall Controls?	Operates from TXers?
Standard (Safety)	✘	✓	✘
Automatic	✓	✓	✓
Auto-Close	✓	✓	✓

Soft Start/Soft Stop

Speed ramping reduces stress on the door and opener, and makes for quiet operation.

Battery Backup

Integrated as standard, the battery backup feature switches over automatically in the event of power failure.

SmartSolar™ Solar Power

The optional SmartSolar™ kit allows for installation on unpowered sites, or for green-friendly operation.

Door Profiling for Increased Safety

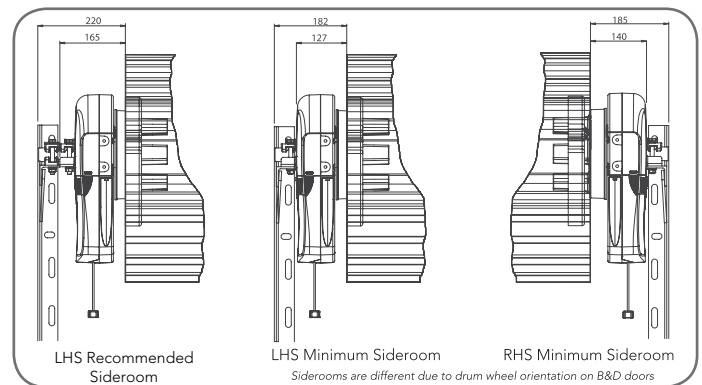
The force needed to safely move the door throughout each cycle is continually re-profiled. By only using the appropriate amount of force, the **Toro™** can more quickly sense, and react to, obstructions in the door’s path.

Intelligent Safety System

If contact is made with an obstruction while moving, the **Toro™** either stops or reverses the door.

M-ALPS (Magnetic Automatic Limits Positioning System)

Using a magnetic sensing system that is highly resistant to dust, grease and other elements, M-ALPS makes setup easy and maintains millimetre perfect limits even as the door ages.

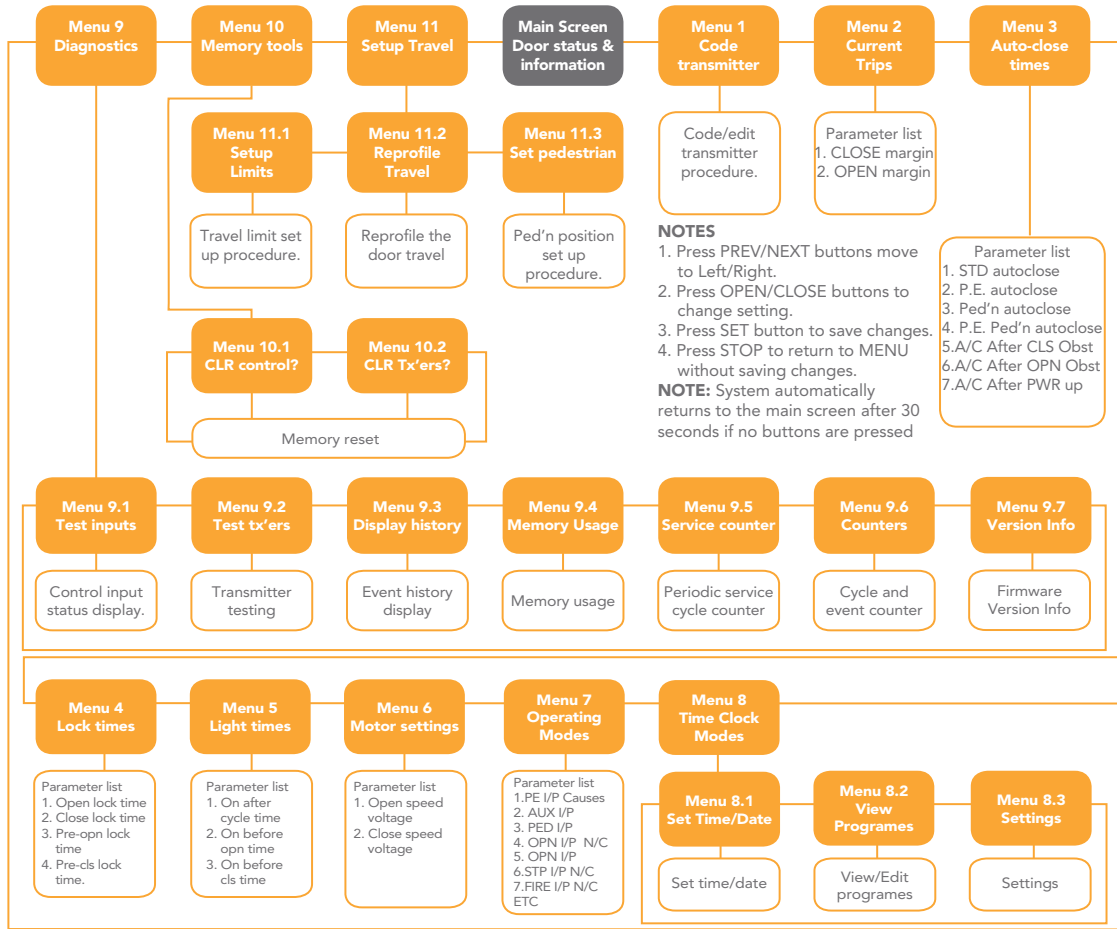


Specifications - GDO-10v2 Toro™ Order Code #60122 (Full Logic) or #60123 ('Deadman')

Input	230Vac - 240Vac 50Hz
Controller voltage:	24Vdc
Standby power	2.6W
Motor power	150W
¹ Max. door width/height/weight	5500mm/5100mm/270kg
Maximum Door Area	~28m ²
Lifting force - Max / Nominal	500N / 150N
Opener limits travel	5.5 turns of drum wheel
Standard Fork Length	85mm
Duty Cycle	25 operations per hour
Receiver/Transmitter type	UHF ~433.92 MHz fm
Receiver storage capacity	511 x TrioCode™ transmitters
Coding type	Code hopping (Non-linear encryption algorithm)
No. of code combinations	4.29+ billion random codes
Optional Automation Pack	2 x PTX-5 Keyring TXers 1 x PE Beam Kit (#60122 only)
Warranty	2 year parts only warranty

¹ The door must be well balanced. An average person should be able to easily lift the door in an emergency.
© May 2011 Automatic Technology (Australia) Pty Ltd (ATA). All rights reserved. TrioCode™ and Toro™ are trademarks of ATA. No part of this sheet may be reproduced without prior permission. In an ongoing commitment to product quality we reserve the right to change specification without notice. E&OE.

GDO-10 Menu Structure



GDO-10 Input/Output & Component Layout

